

HEAD RACK

INSTALLATION INSTRUCTIONS

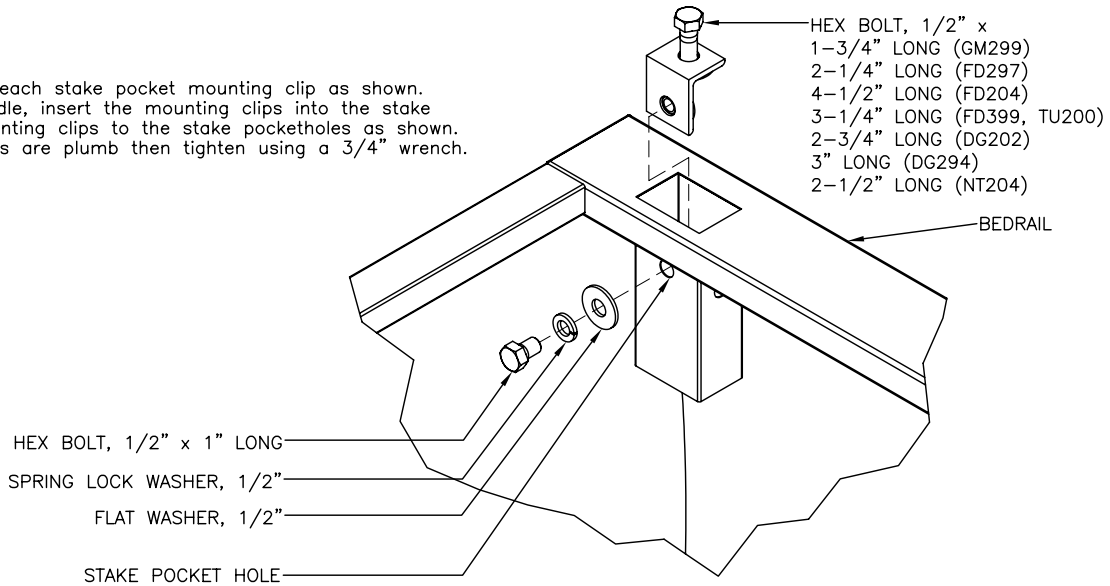
TOOLS REQUIRED: 3/4" WRENCH x 2

PACKAGE CONTENTS

1/2" x 3-1/4" HEX BOLT	X2	MOUNTING BRACKET BOTTOM	X2 (1 LEFT, 1 RIGHT)
1/2" x 1-1/2" HEX BOLT	X2	MOUNTING BRACKET TOP	X2 (1 LEFT, 1 RIGHT)
1/2" x 1" HEX BOLT	X2	HEAD RACK	X1
1/2" NUT	X4		
1/2" FLAT WASHER	X12		
1/2" LOCK WASHER	X8		
* 1/2" HEX BOLT	X2	* LENGTH VARIES TO SUIT DIFFERENT TRUCKS	

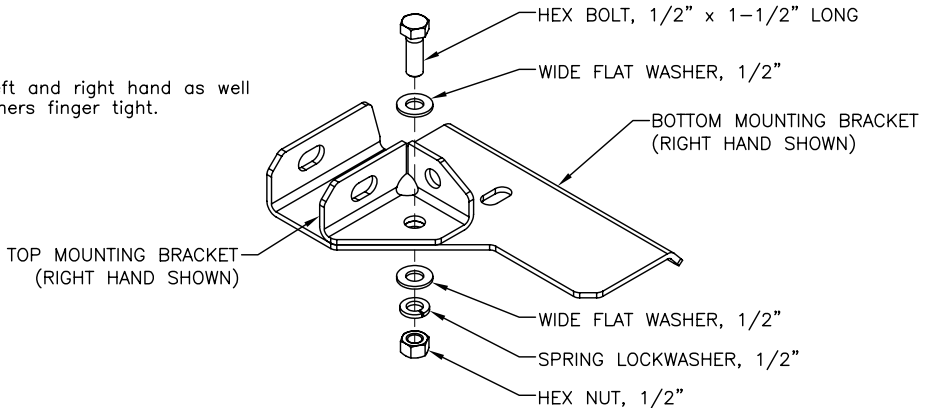
STEP 1

Attach a 1/2" bolt into each stake pocket mounting clip as shown. Using the bolt as a handle, insert the mounting clips into the stake pocket. Fasten the mounting clips to the stake pocket holes as shown. Ensure the mounting clips are plumb then tighten using a 3/4" wrench. Remove the vertical bolt.



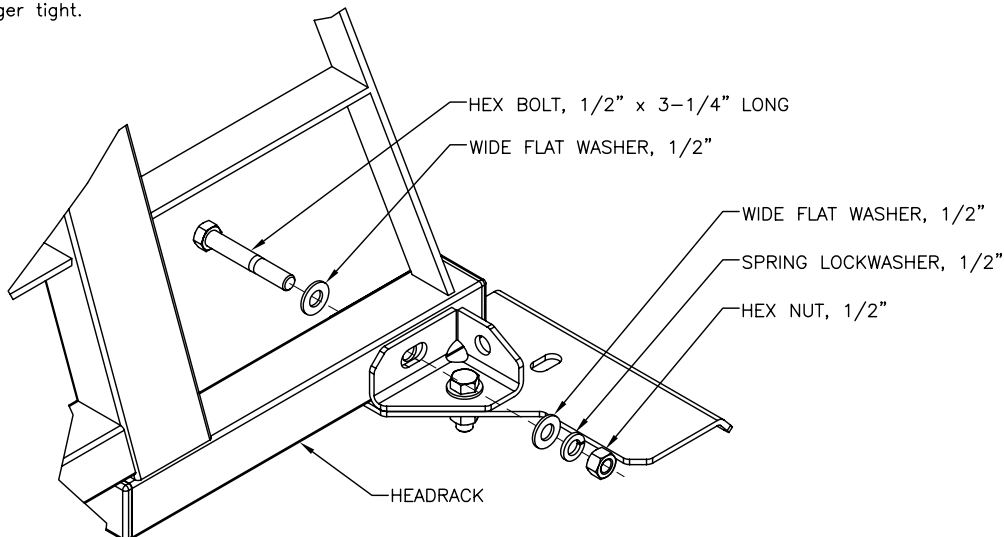
STEP 2

Assemble the Headrack mounting brackets. There are left and right hand as well as top and bottom mounting brackets. Leave the fasteners finger tight.



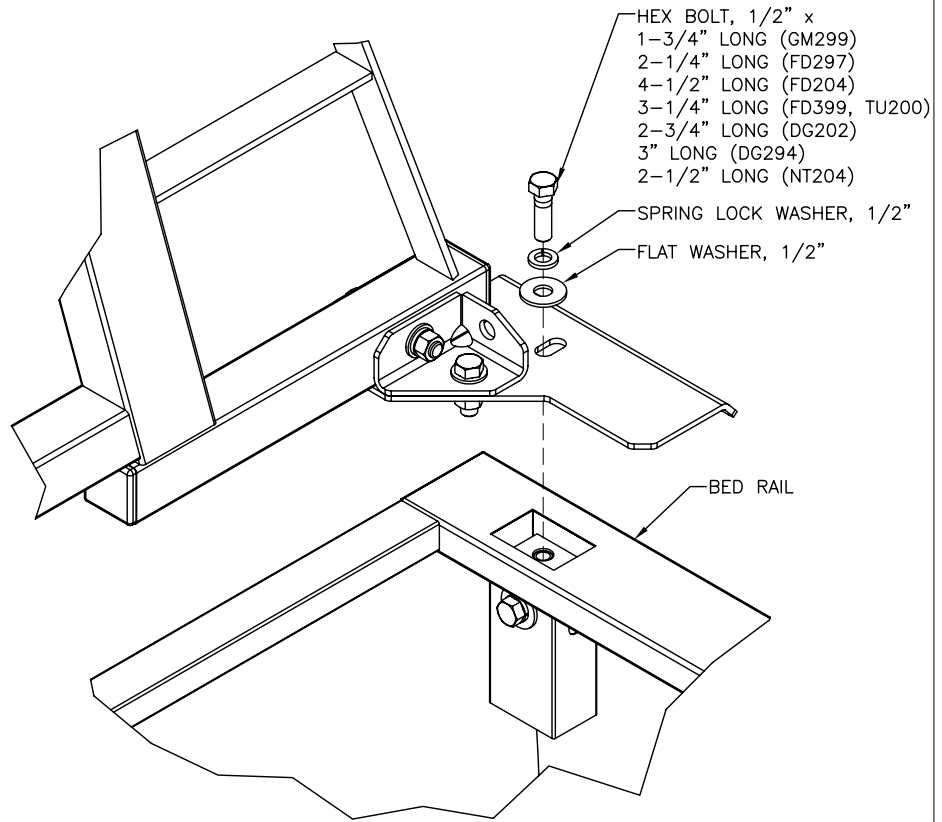
STEP 3

Attach the mounting brackets to the Headrack. Leave the fasteners finger tight.



STEP 4

Mount the fully assembled Headrack behind the cab on the bedrails of the truck. Fasten to the mounting clips previously installed in the stake pockets. Adjust the Headrack side to side until it is centered behind the cab.



STEP 5

Tighten the fasteners in the following sequence:

